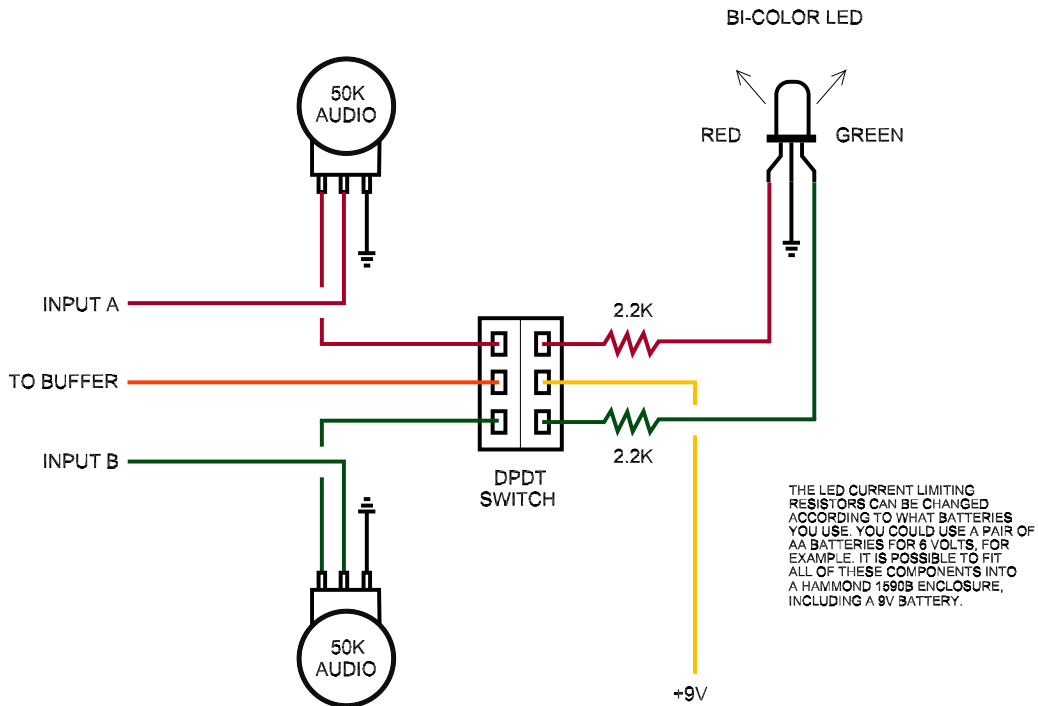


BUFFER SECTION



THE LED CURRENT LIMITING RESISTORS CAN BE CHANGED ACCORDING TO WHAT BATTERIES YOU USE. YOU COULD USE A PAIR OF AA BATTERIES FOR 6 VOLTS. FOR EXAMPLE, IT IS POSSIBLE TO FIT ALL OF THESE COMPONENTS INTO A HAMMOND 1590B ENCLOSURE, INCLUDING A 9V BATTERY.

BUFFERED A/B SIGNAL ROUTER

Designed by Paul J. Marossy 12/11/03

This is a FET buffered device designed for use with two guitars using the same amplifier input. This makes it very simple to switch guitars without messing around with cords. The volume controls are to even out the levels between the two inputs, since some guitars may have hotter pickups than others. This way you can preset the levels so that there is not a huge volume change when you switch guitars, unless of course, that is what you want...