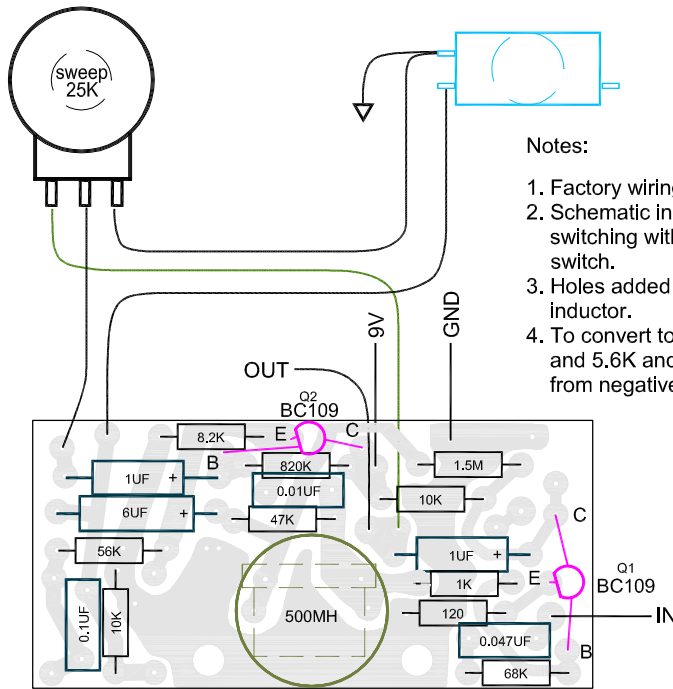


MAESTRO BG-2 BOOMERANG SCHEMATIC

www.DIYguitarist.com



Notes:

1. Factory wiring shown on PCB layout.
2. Schematic indicates true bypass switching with separate wah/volume switch.
3. Holes added for use with a Fasel inductor.
4. To convert to BG-1, remove 0.1uF cap, and 5.6K and 10K resistors. Add jumper from negative end of 6uF cap to ground.

MAESTRO BOOMERANG BG-2 WAH/VOL
ORIGINAL FACTORY PCB LAYOUT
DRAWN BY PAUL MAROSSY 10/2/06

