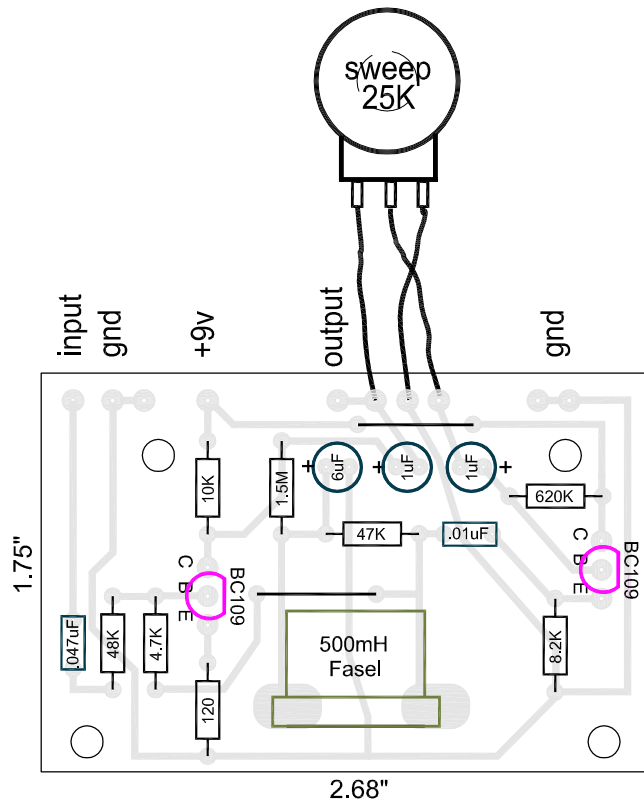


MAESTRO BOOMERANG SCHEMATIC

www.DIYguitarist.com



MAESTRO BOOMERANG WAH  
PCB LAYOUT BY PAUL MAROSSY 10/2/06

