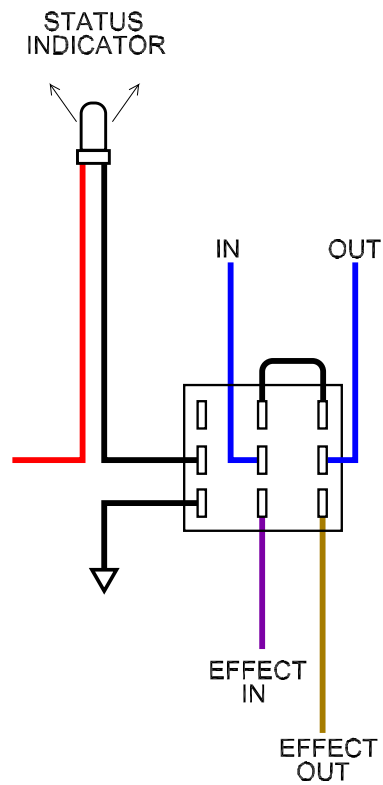
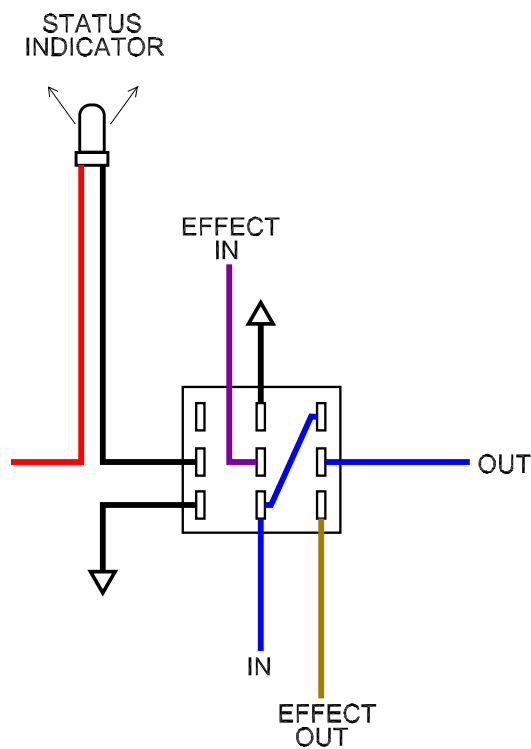


**TRUE BYPASS #1**  
USING DPDT SWITCH



**TRUE BYPASS #2**  
USING 3PDT SWITCH  
(DPDT SWITCH SIMILAR)



**GROUNDING CIRCUIT INPUT  
TRUE BYPASS**  
USING 3PDT SWITCH