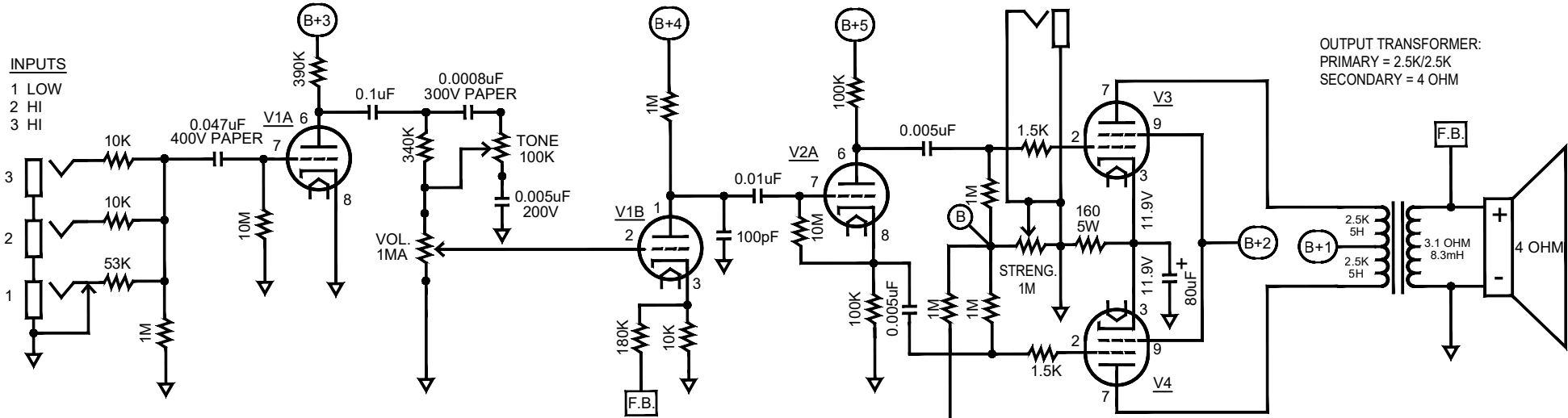
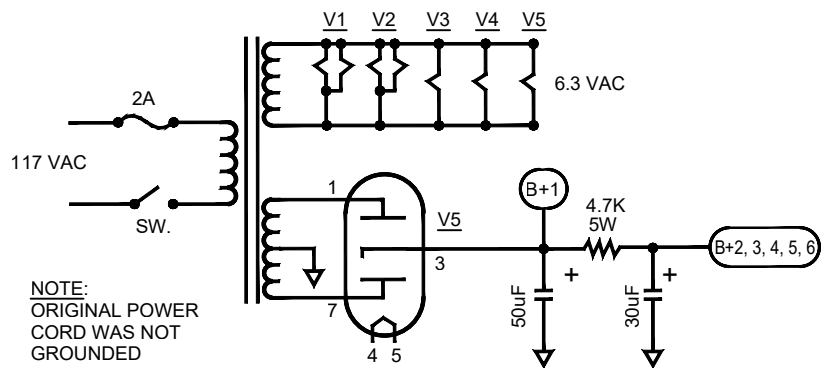


INPUTS

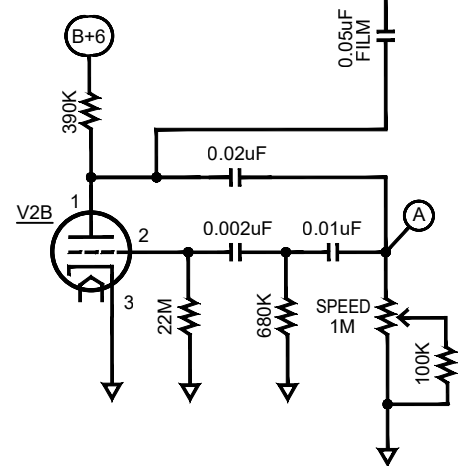
- 1 LOW
- 2 HI
- 3 HI



OUTPUT TRANSFORMER:
 PRIMARY = 2.5K/2.5K
 SECONDARY = 4 OHM

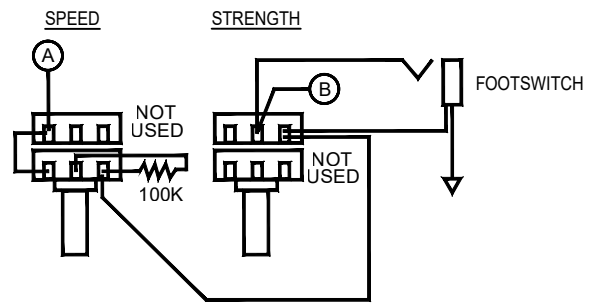


NOTE:
 ORIGINAL POWER
 CORD WAS NOT
 GROUNDED

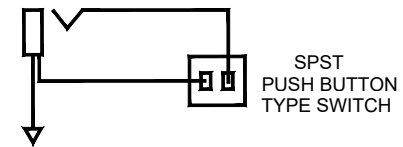


TUBES:	B+ VOLTAGES:
V1A - 1/2 12AX7	B+1 - 392V
V1B - 1/2 12AX7	B+2 - 342V
V2A - 1/2 12AX7	B+3 - 342V
V2B - 1/2 12AX7	B+4 - 342V
V3 - EL84 / 6BQ5	B+5 - 342V
V4 - EL84 / 6BQ5	B+6 - 342V
V5 - 6CA4 / EZ81	

- NOTES:**
- ALL RESISTORS 1/2 WATT CARBON COMP UNLESS NOTED OTHERWISE.
 - ALL CAPS 1KV CERAMIC UNLESS NOTED OTHERWISE.
 - TREMOLO POTS ARE DUAL GANGED 1M. STRENGTH & SPEED CONTROLS USE ONLY ONE HALF OF POT.



TREMOLO CONTROL WIRING



FOOTSWITCH WIRING

Gregory MARK X

SCHEMATIC

DRAWN BY PAUL MAROSSY 5/22/05
 UPDATED/CORRECTED 3/27/2023

NOTE: THIS SCHEMATIC WAS DERIVED FROM THE ORIGINAL SCHEMATIC ATTACHED TO THE AMPLIFIER. USE AT YOUR OWN RISK.

Sheet: **1**