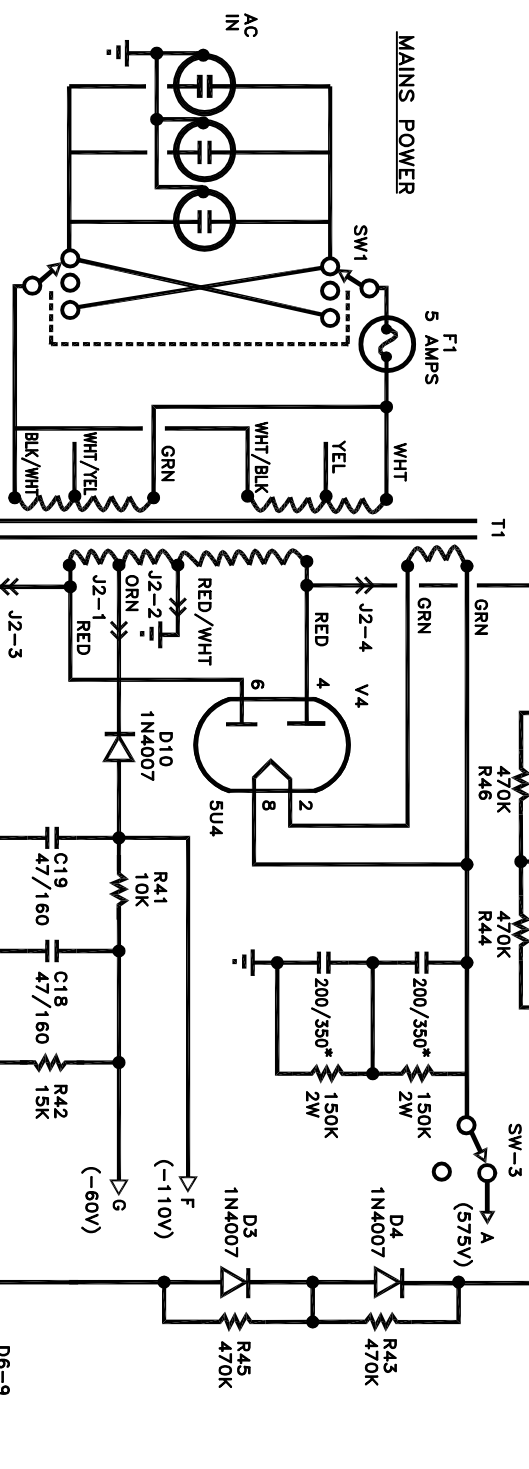
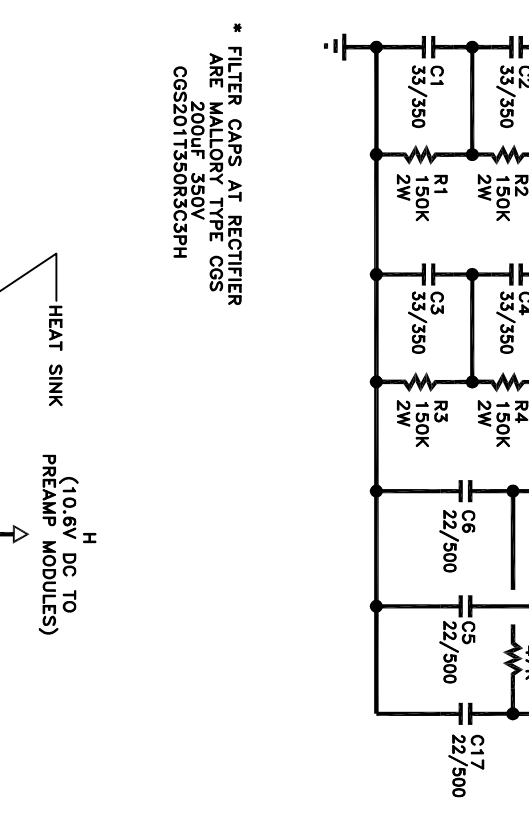


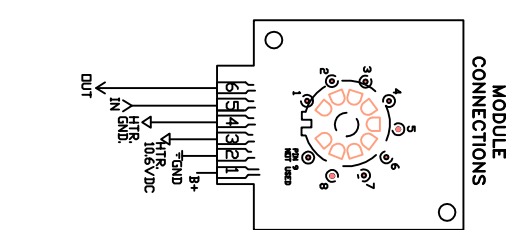
OUTPUT TRANSFORMER
IN MY OWN AMP HAS
THE FOLLOWING MARKINGS:
TF-020
CIN-TRAN 1745
30-8414



POWER TRANSFORMER
IN MY OWN AMP HAS
THE FOLLOWING MARKINGS:
TF-010
CIN-TRAN 1434
30-8430



* FILTER CAPS AT RECTIFIER
ARE MALLOYRY TYPE CGS
CGS20T1350R3C3PH



LOC.	VOLTAGES
A	575V
B	450V
C	400V
D	360V
E	340V
F	-110V
G	-60V
H	10.6V
I	FILAMENT GROUND

DRAWN BY PAUL MAROSSY
WWW.DYGITARIST.COM

100W CONVERTIBLE
POWER AMP

SEYMOUR DUNCAN

DRAWING NUMBER
240004-SCM A

1/8/12					

ALL RESISTORS 1/2 W UNLESS NOTED
NOTES: UNLESS OTHERWISE SPECIFIED