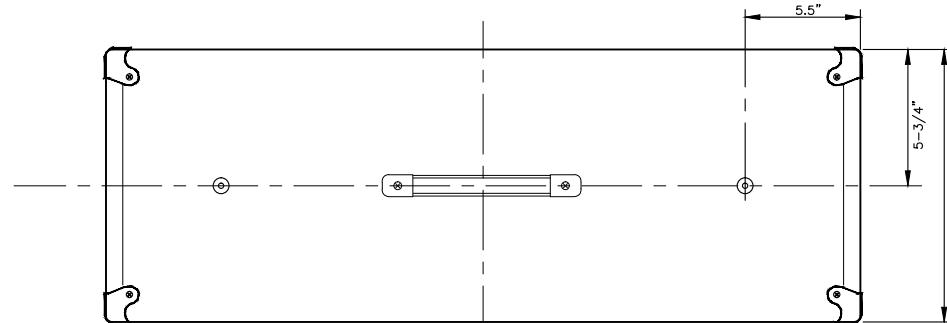
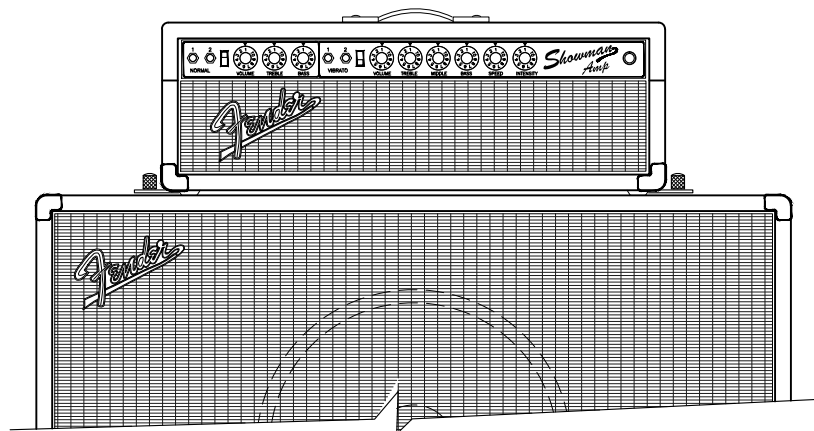


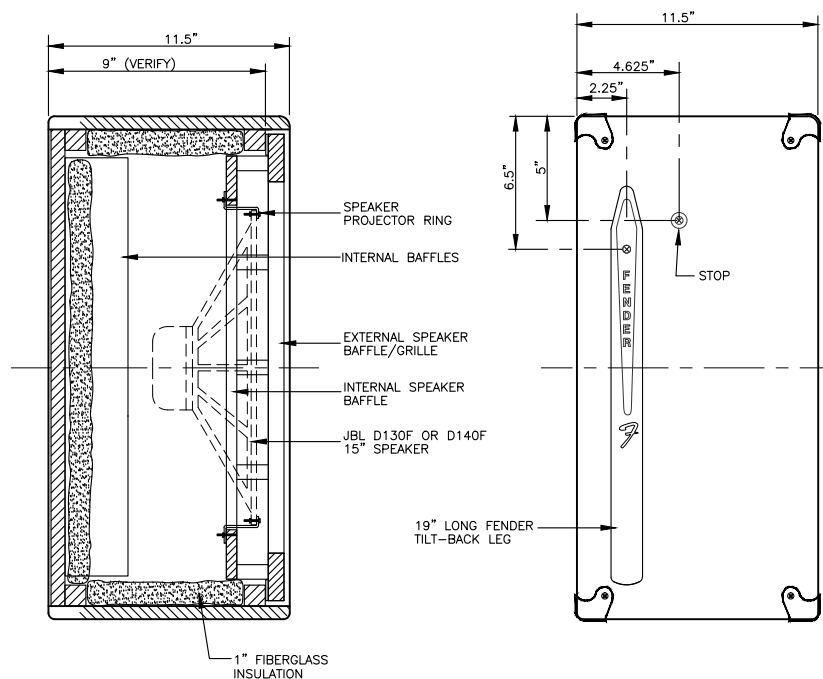
1X15 FENDER SHOWMAN SPEAKER CAB PLANS
(AS PER 1965 EXAMPLE)
DRAWN BY PAUL MAROSSY



TOP VIEW - 1x15 SHOWMAN SPEAKER CAB
SCALE: NONE

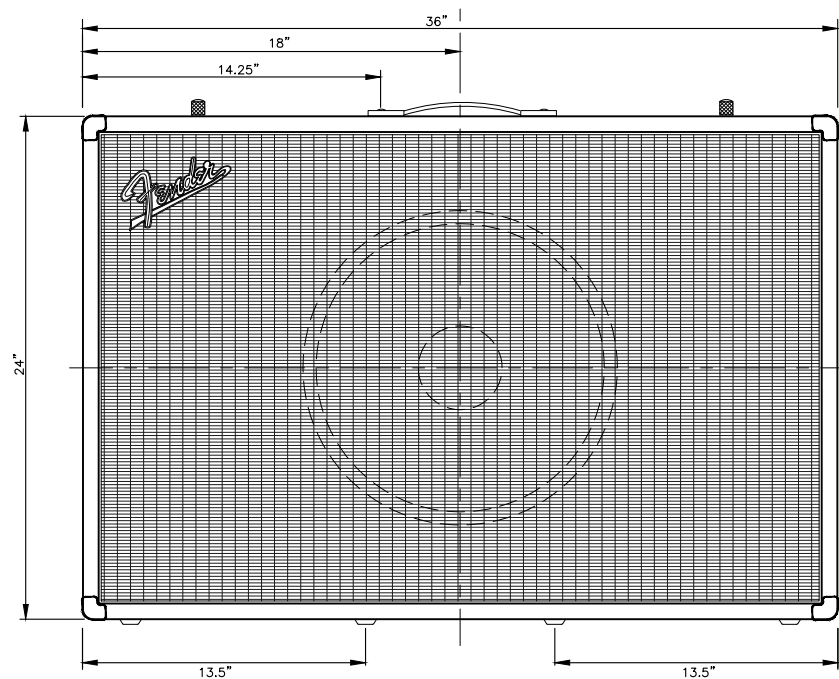
GENERAL NOTES:

1. SPEAKER GRILLE IS APPROX. 1/4" BACK FROM FRONT EDGE OF SPEAKER CABINET.
2. ALL CORNERS HAVE CHROME AMP CAB CORNER PIECES.
3. EIGHT CHROME GLIDES ARE ON BOTTOM AS SHOWN.
4. CABINET IS CONSTRUCTED OF 3/4" THICK SOLID PINE.
5. OUTER SPEAKER BAFFLE IS CONSTRUCTED OF 3/4" THICK PLYWOOD.
6. SPEAKER CABINET IS COVERED WITH BLACK "TOLEX".
7. SPEAKER CABINET REAR PIECE CAN BE MADE FROM 1/2" MDF.
8. INSIDE OF CABINET IS LINED W/ 1" THICK FIBERGLASS INSULATION

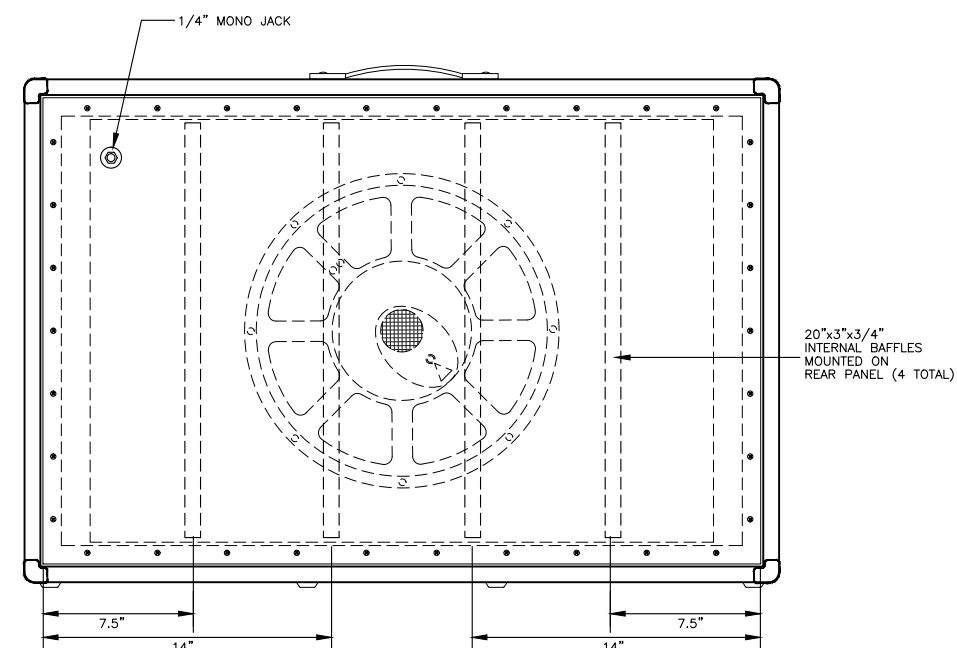


CROSS SECTION
SCALE: NONE

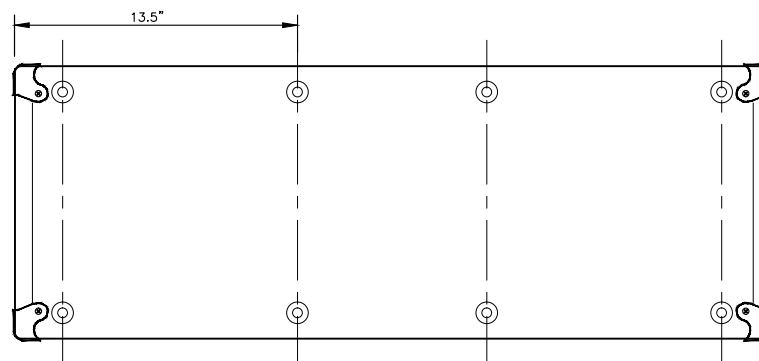
LEFT SIDE VIEW
SCALE: NONE



FRONT VIEW - 1x15 SHOWMAN SPEAKER CAB
SCALE: NONE



BACK VIEW - 1x15 SHOWMAN SPEAKER CAB
SCALE: NONE



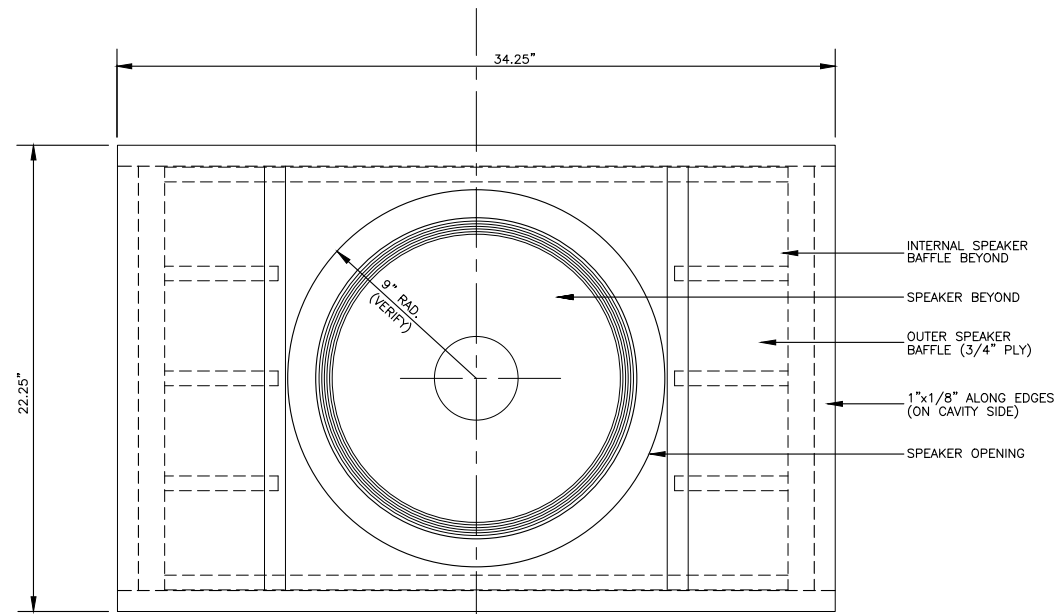
BOTTOM VIEW - 1x15 SHOWMAN SPEAKER CAB
SCALE: NONE

DRAWN BY PAUL MAROSSY 12/5/2018

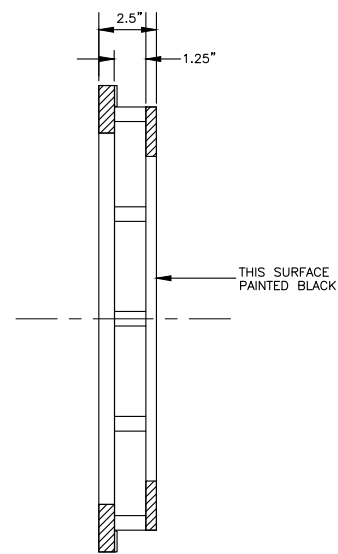
** THIS IS NOT AN OFFICIAL FENDER DRAWING **

DWN.	P.J.M.	DATE	Fender ELECTRIC INSTRUMENT CO. FULLERTON, CALIFORNIA DWG. TITLE <i>SPEAKER CABINET</i> <i>PLAN - SHOWMAN,</i> <i>1 x 15</i>			
CHK.		DATE				
APPD.		DATE				
APPD.		DATE				
APPROVAL-			REL NO.	SIZE	DWG. NO.	REV.
APPROVAL-				D	000001	A
	11-26-18		SCALE	MODEL	SHOWMAN 1x15	SHEET 1 OF 2
			3"=1"	SPEAKER CABINET		

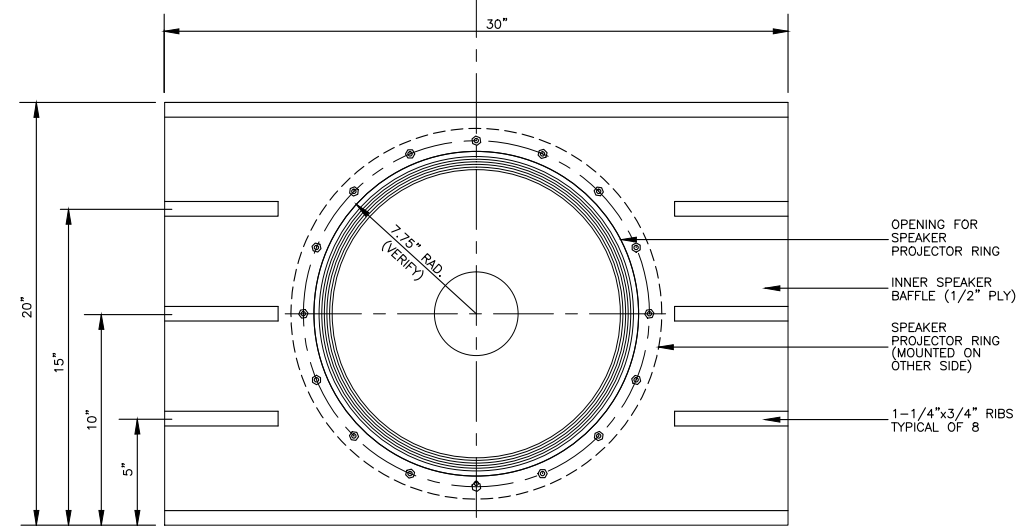
DRAWN BY PAUL MAROSSY 12/5/2018



OUTER SPEAKER BAFFLE - 1x15 SHOWMAN SPEAKER CAB
SCALE: NONE



SIDE VIEW



NOTE:
SPEAKER IS MOUNTED
TO THIS PIECE VIA THE
SPEAKER PROJECTOR RING

INNER SPEAKER BAFFLE - 1x15 SHOWMAN SPEAKER CAB
SCALE: NONE

** THIS IS NOT AN OFFICIAL FENDER DRAWING **

DWN.	P.J.M.	DATE	ELECTRIC INSTRUMENT CO. FULLERTON, CALIFORNIA			
CHK.		DATE				
APPD.		DATE	DWG. TITLE SPEAKER BAFFLE PLAN - SHOWMAN, 1 x 15			
APPD.		DATE				
APPROVAL-		DATE	REL NO.	SIZE	DWG. NO.	REV.
APPROVAL-		11-26-18		D	000002	A
			SCALE 3"=1'	MODEL SHOWMAN 1x15 SPEAKER CABINET	SHEET 2 OF 2	